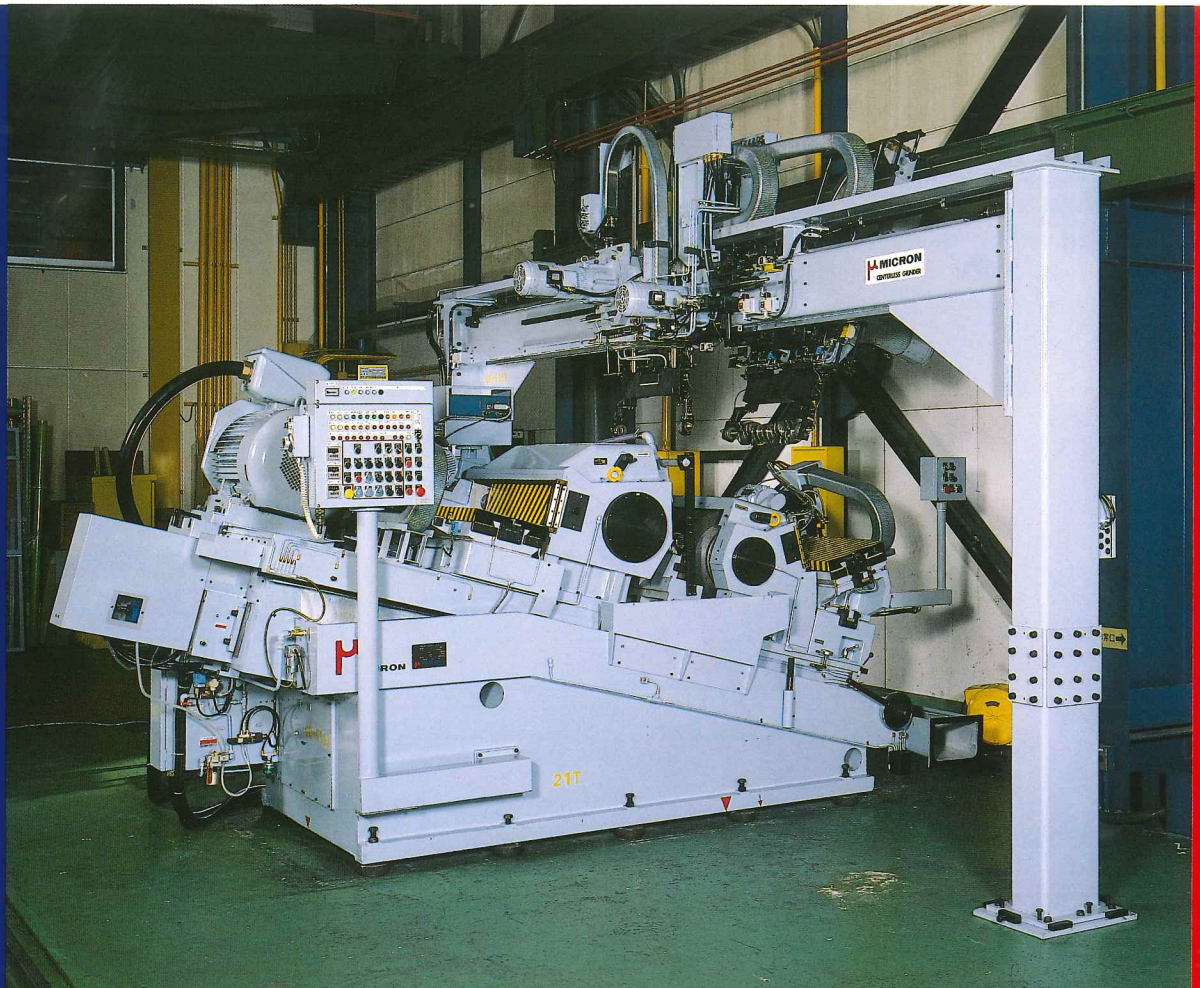


EXPANDED LENGTH CAPACITY CENTERLESS GRINDER MD-700 VII-15D-GS



This machine is the largest model of the Micron Dual-support Series, in which high-precision, heavy-duty infeed grinding is made possible, through a grinding wheel with a maximum width of 750 mm (29.5 inches) and a 75 kW main-motor.

EXPANDED LENGTH CAPACITY CENTER LESS GRINDER MD-700 VII-15D-GS

FEATURES

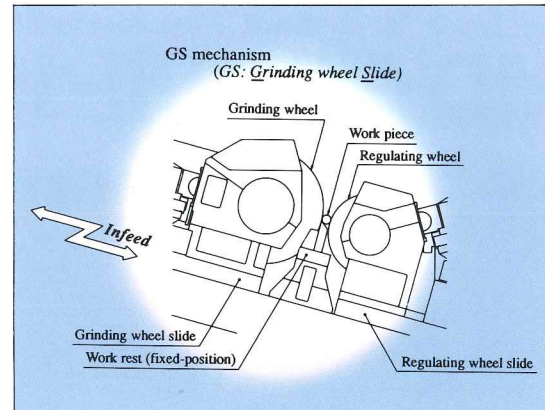
This machine is the result of further development of the slant-bed model, in which high precision-infeed grinding is made possible through a grinding wheel with a maximum width of 750 mm (29.5 inches).

Heavy-duty grinding is made possible with a highly rigid design, thereby realizing high-efficiency grinding, with a short cycle time.

The machine uses a grinding wheel slide mechanism, with a fixed-position workrest, in order to load and unload work pieces in a constant fixed position.

The grinding wheel slide is advanced by a patented, innovative, infeed mechanism, which uses a hydraulic actuator and a servomotor.

Minimum dressing time is realized, through the use of a traversing rotary diamond dressing device, whereby diamond rolls of the same design are used for the truing/dressing mechanism of both grinding and regulating wheels.



SPECIFICATIONS

CAPACITIES :	METRIC	INCH
Work Diameter	25—100 mm	1" — 4"
Max. Plunging Length	745 mm	29.3"
GRINDING WHEEL :		
Size	$\phi 710 \times 750 \times \phi 406.4$ mm	28" dia. \times 29.5" \times 16" bore
Surface Speed	Max. 45 m/sec	Max. 8860 ft/min
Motor	75 kW	100 HP
REGULATING WHEEL :		
Size	$\phi 510 \times 750 \times \phi 304.8$ mm	20" dia. \times 29.5" \times 12" bore
Infinitely Variable Speed Range	15—200 rpm	15—200 rpm
Motor	3.7 kW	5 HP
Tilting Angle		
Swiveling Angle	$\pm 0.5^\circ$	$\pm 0.5^\circ$
DIMENSIONS :		
Height of Wheel (from Base to Center)	Approx. 1410 mm	Approx. 55.5"
Floor Space	2800 \times 1500 mm	110" \times 60"
Height	2100 mm	83"
WEIGHT :		
Approx. Weight	25000 kg	55100 lbs

Specifications are subject to change without prior notice.



MICRON MACHINERY CO., LTD.

HEAD OFFICE And PLANT: 578-2, Uwano, Zao, Yamagata 990-23, Japan. PHONE: 0236-88-8111 FAX: 0236-88-7115 TLX: 8727-12 MICRON J
 TOKYO BRANCH: 11-10, Nihonbashi, Kabutocho, Chuo-ku, Tokyo 103, Japan. PHONE: 03-667-2201 FAX: 03-667-9412
 NAGOYA BRANCH: Kitamura, Bldg. 4F, 2-210, Kamiyashiro, Meito-ku, Nagoya 465, Japan. PHONE: 052-774-8722 FAX: 052-771-2810
 MICRON U.S.A., INC. 4936, Kendrick St. SE Grand Rapids MI 49512 PHONE: 616-942-2007 FAX: 616-942-2108